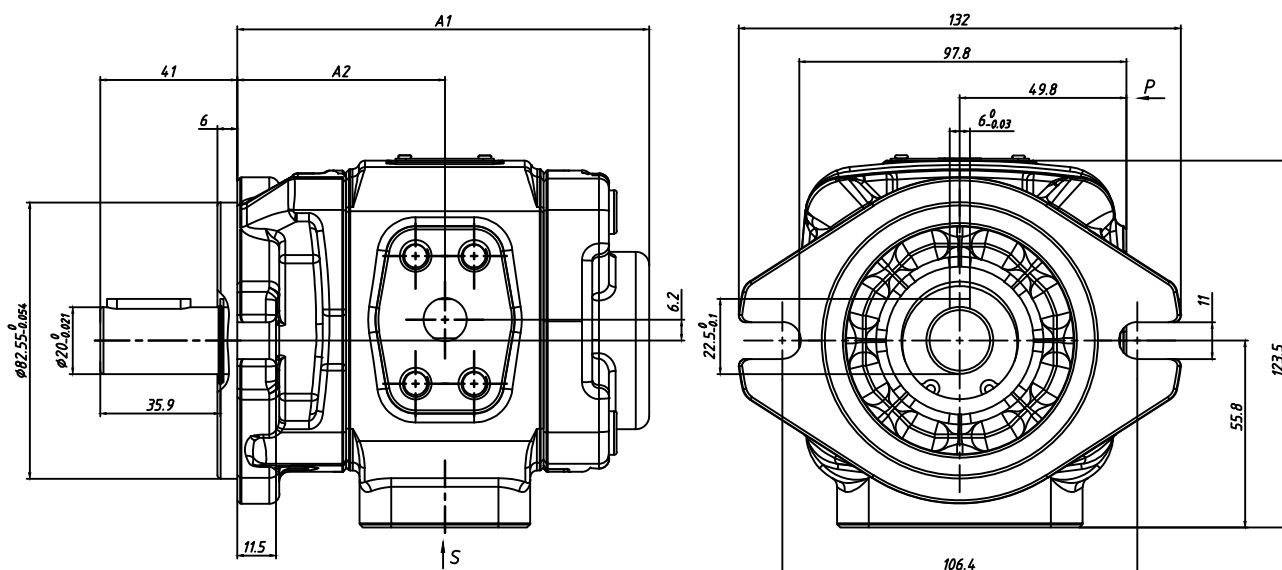
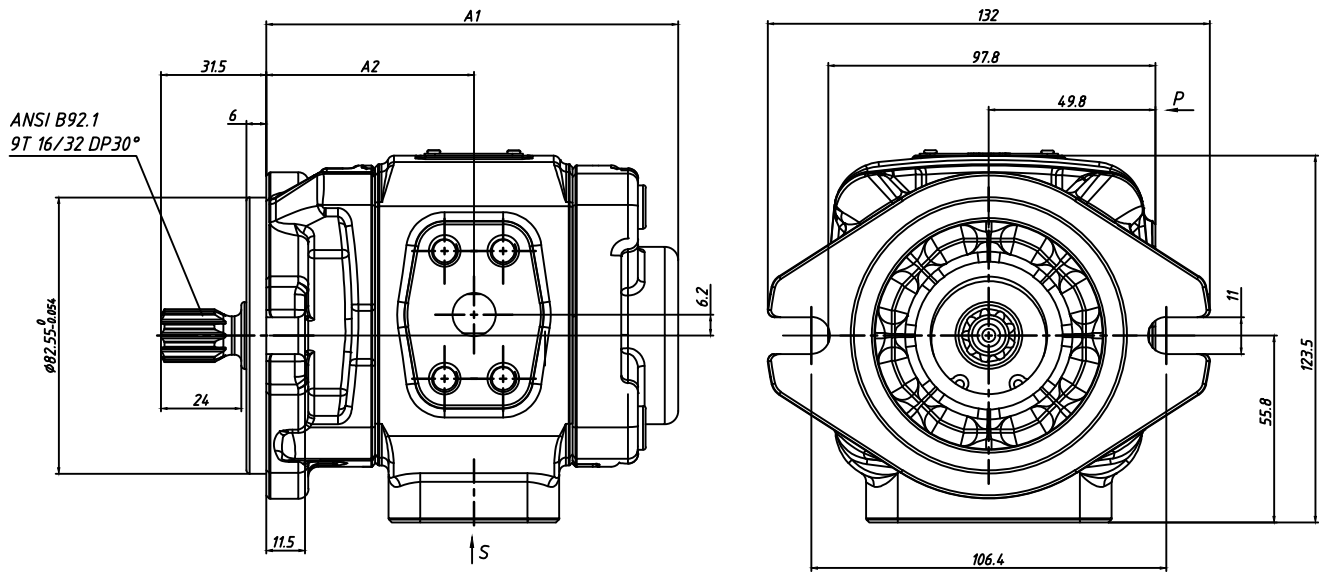


APGH2-※-01R-※PU2



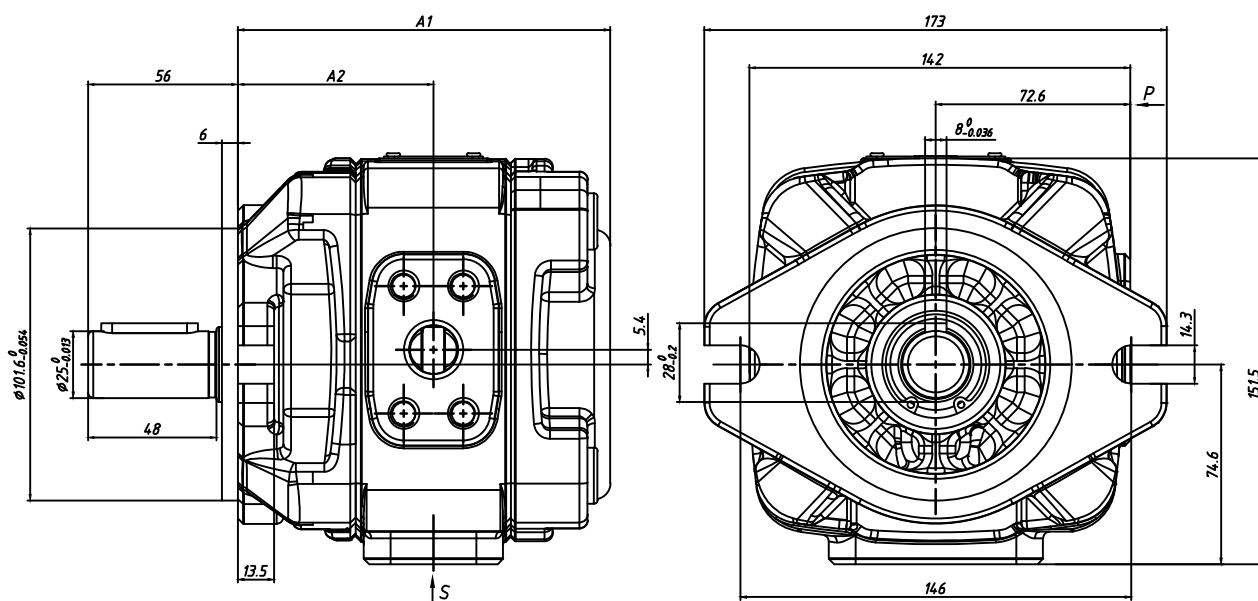
泵型号	A1	A2	S	P
APGH2-008-01R-※PU2	107	54	φ19	φ13
APGH2-010-01R-※PU2	111	56		
APGH2-013-01R-※PU2	117.5	59.25		
APGH2-016-01R-※PU2	123	62	φ26	φ18
APGH2-020-01R-※PU2	131	66		

APGH2-※-01R-※SU2



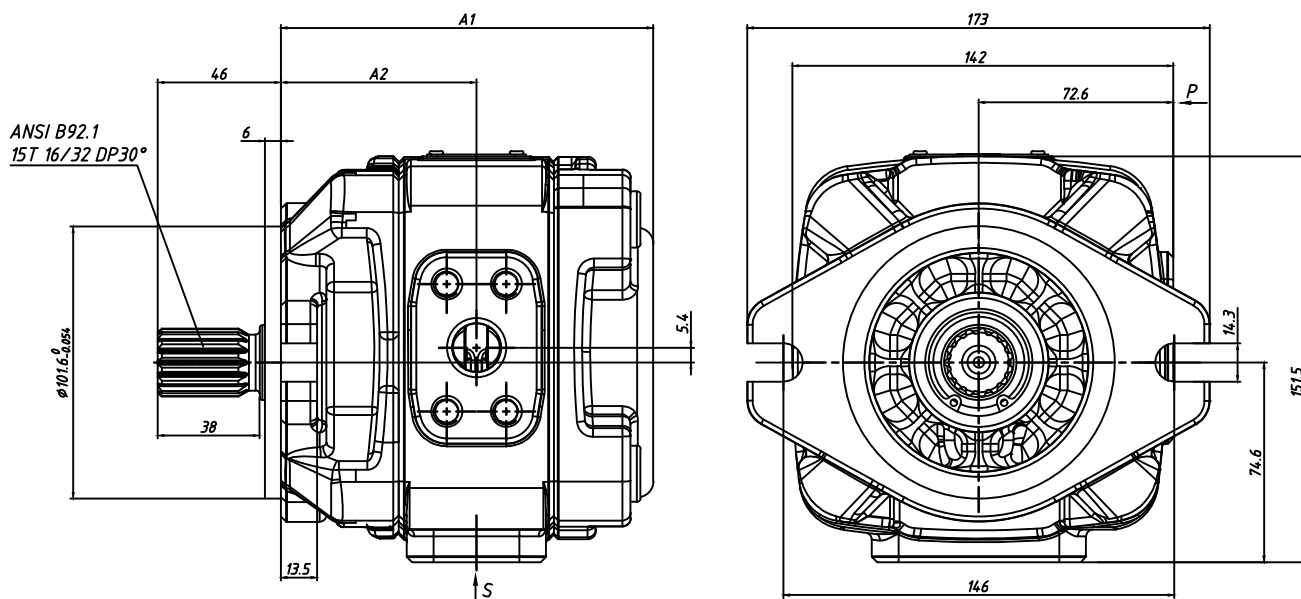
泵型号	A1	A2	S	P
APGH2-008-01R-※SU2	107	54	Ø19	Ø13
APGH2-010-01R-※SU2	111	56		
APGH2-013-01R-※SU2	117.5	59.25		
APGH2-016-01R-※SU2	123	62	Ø26	Ø18
APGH2-020-01R-※SU2	131	66		

APG(H)3-※-01R-※PU2



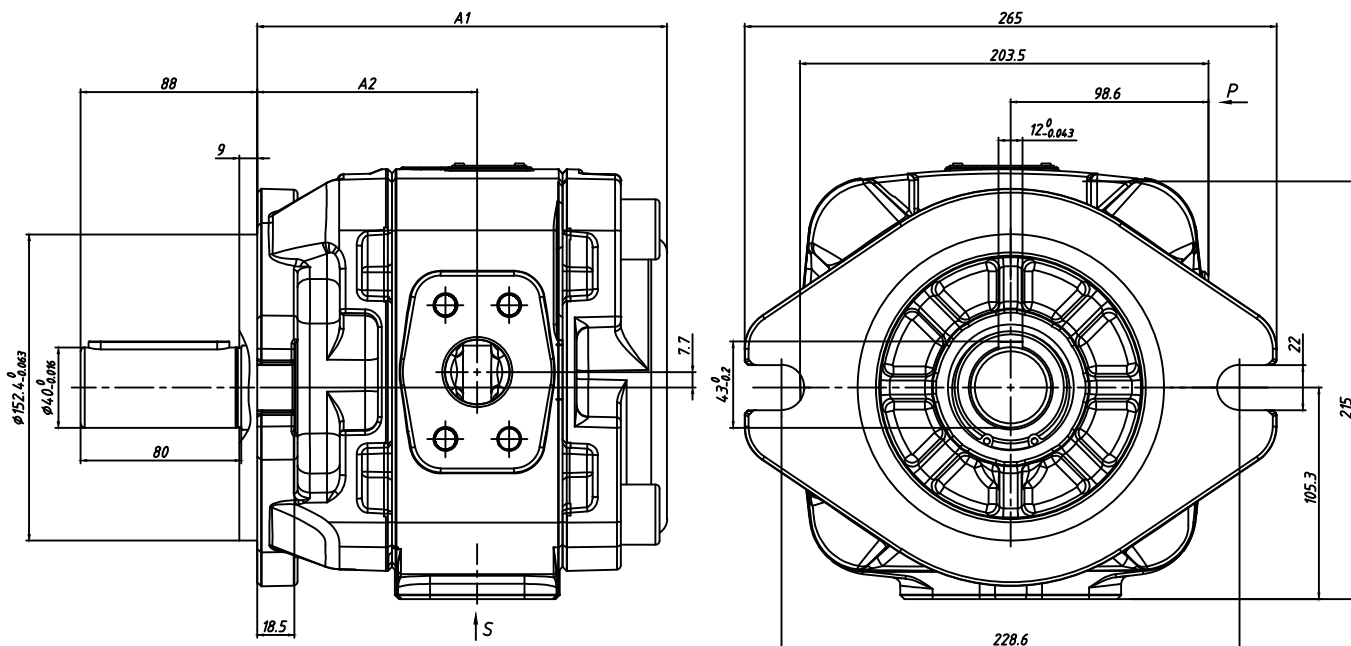
泵型号	A1	A2	S	P
APGH3-025-01R-※PU2	139	73		φ18
APGH3-032-01R-※PU2	146	76.5		
APG3-040-01R-※PU2	153	80	φ38	φ20
APGH3-040-01R-※PU2				
APG3-050-01R-※PU2	163	85	φ32	φ25.4
APGH3-050-01R-※PU2			φ51	
APG3-063-01R-※PU2	177	92	φ32	φ20
APGH3-063-01R-※PU2			φ51	φ32

APG(H)3-※-01R-※SU2



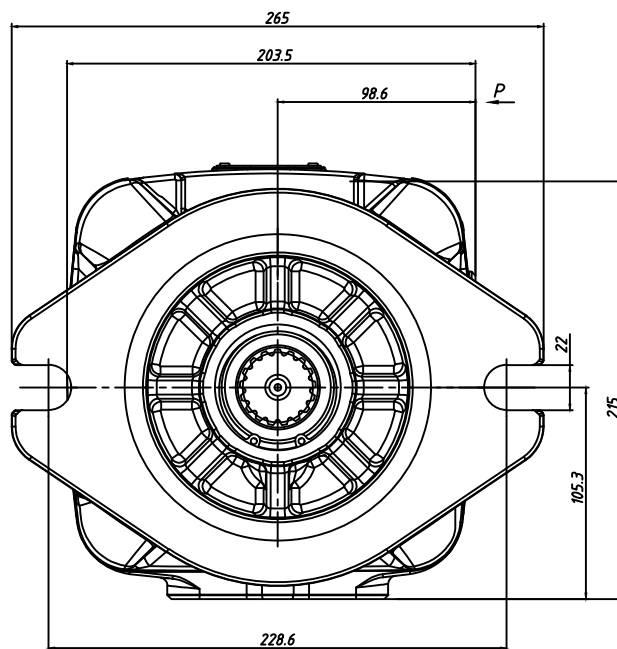
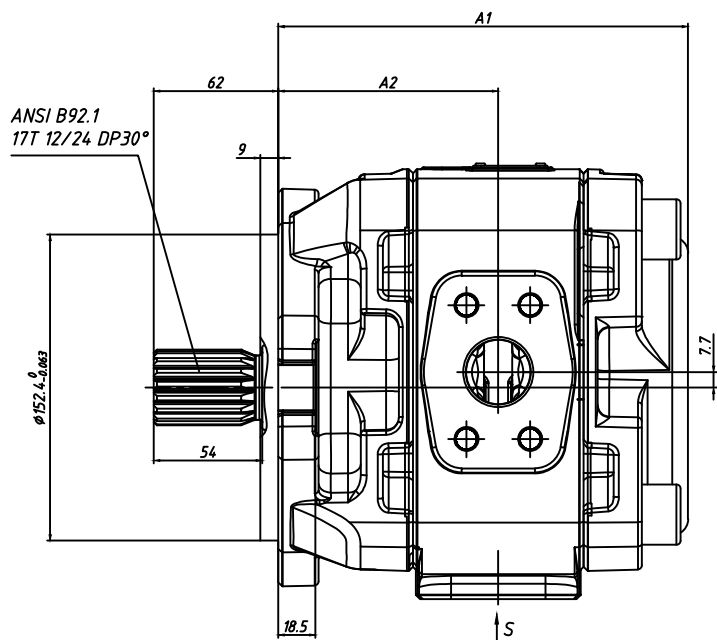
泵型号	A1	A2	S	P
APGH3-025-01R-※SU2	139	73	∅32	∅18
APGH3-032-01R-※SU2	146	76.5		
APG3-040-01R-※SU2	153	80	∅38	∅20
APGH3-040-01R-※SU2				
APG3-050-01R-※SU2	163	85	∅32	∅25.4
APGH3-050-01R-※SU2			∅51	
APG3-063-01R-※SU2	177	92	∅32	∅20
APGH3-063-01R-※SU2			∅51	∅32

APG(H)4-※-01R-※PU2



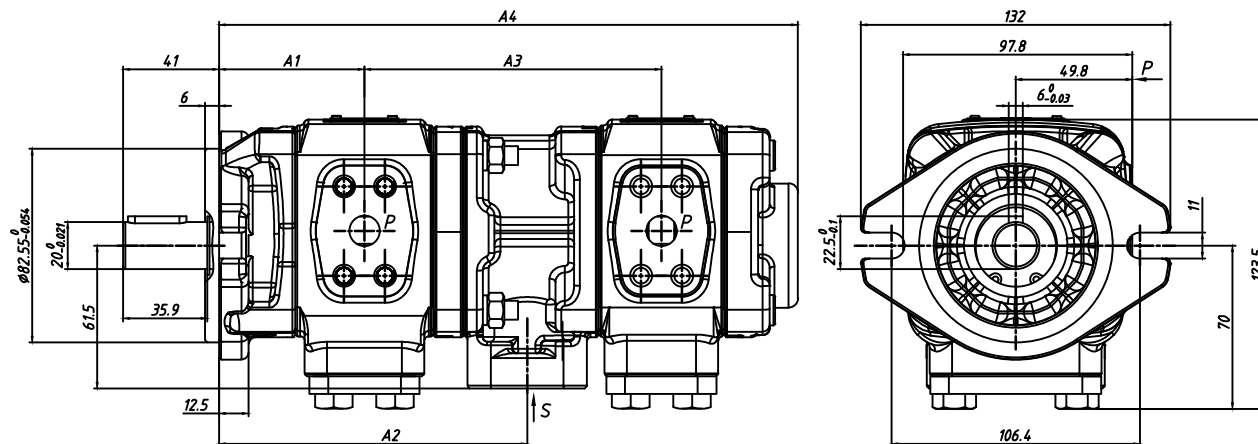
泵型号	A1	A2	S	P
APGH4-080-01R-※PU2	204	109.5	φ51	φ32
APG4-100-01R-※PU2	213	114		
APGH4-100-01R-※PU2			φ63.5	φ38
APGH4-125-01R-※PU2	225	120		
APG4-145-01R-※PU2	235.5	124.75	φ76	φ51
APGH4-145-01R-※PU2				
APGH4-160-01R-※PU2	243	129		

APG(H)4-※-01R-※SU2



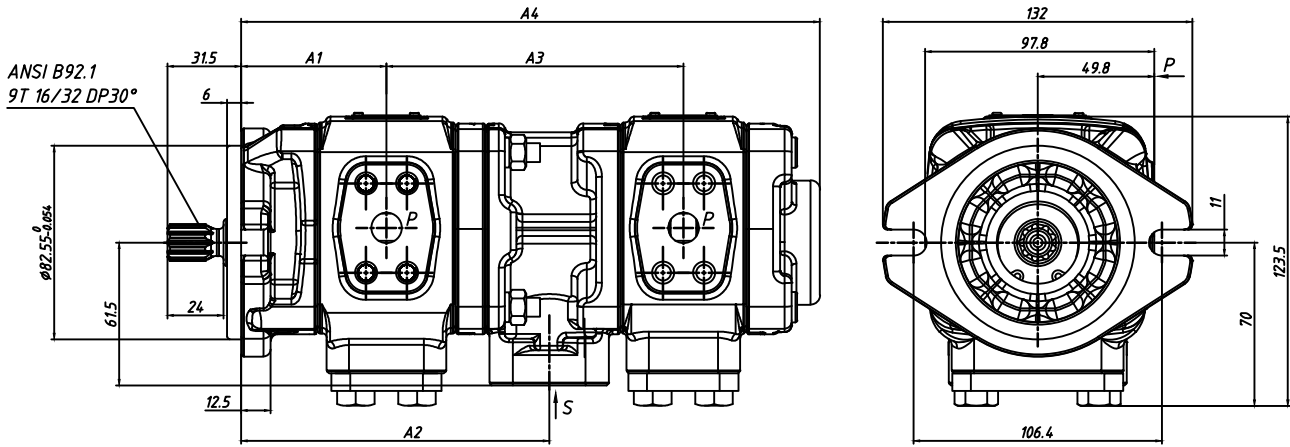
泵型号	A1	A2	S	P
APGH4-080-01R-※SU2	204	109.5	φ51	φ32
APG4-100-01R-※SU2	213	114		
APGH4-100-01R-※SU2			φ63.5	φ38
APGH4-125-01R-※SU2	225	120		
APG4-145-01R-※SU2	235.5	124.75		
APGH4-145-01R-※SU2			φ76	φ51
APGH4-160-01R-※SU2	243	129		

APG22-※-※-01R-※PU2



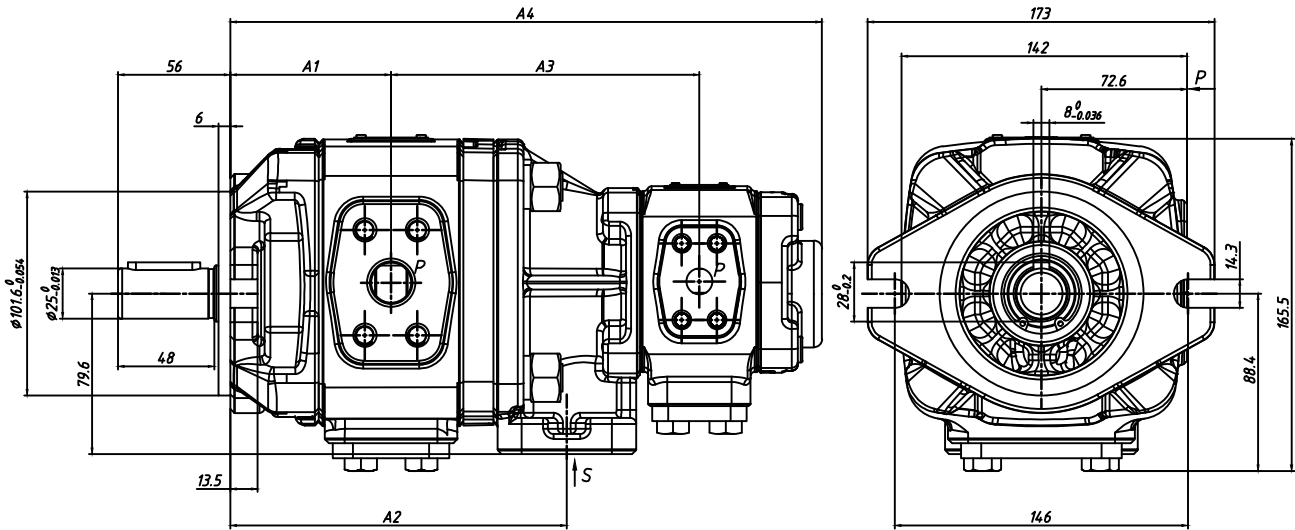
泵型号	A1	A2	后泵规格									
			08		10		13		16		20	
			A3	A4	A3	A4	A3	A4	A3	A4	A3	A4
APG22-08-※-01R-VPU2	54	115.5	113.5	220.5								
APG22-10-※-01R-VPU2	56	119.5	115.5	224.5	117.5	228.5						
APG22-13-※-01R-VPU2	59.25	126	118.75	231	120.75	235	124	241.5				
APG22-16-※-01R-VPU2	62	131.5	121.5	236.5	123.5	240.5	126.75	247	129.5	252.5		
APG22-20-※-01R-VPU2	66	139.5	125.5	244.5	127.5	248.5	130.75	255	133.5	260.5	137.5	268.5

APG22-※-※-01R-※SU2



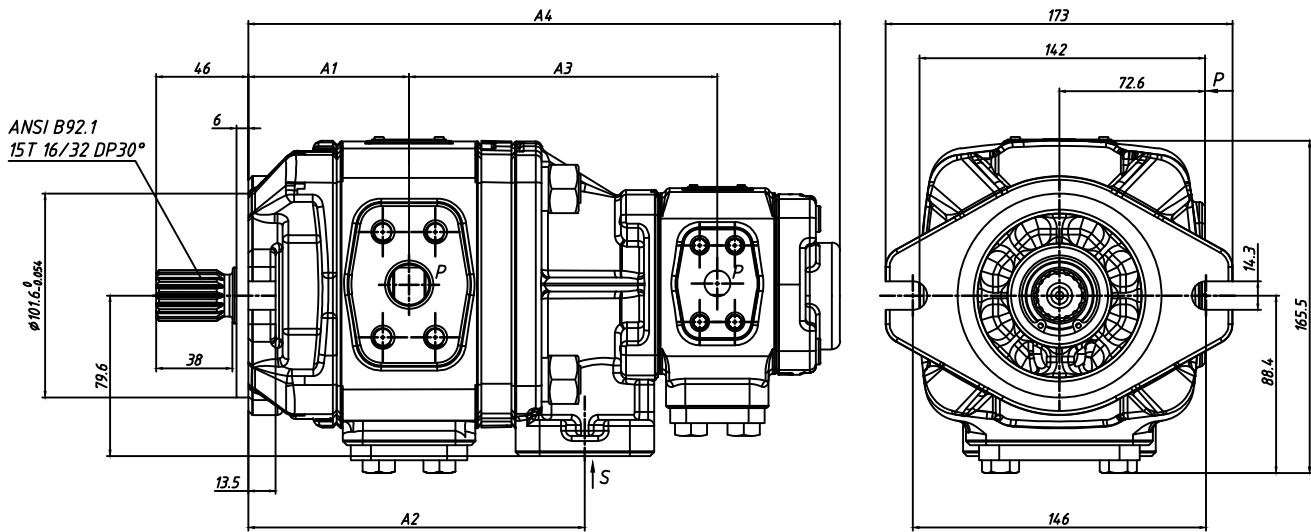
泵型号	A1	A2	后泵规格									
			08		10		13		16		20	
			A3	A4	A3	A4	A3	A4	A3	A4	A3	A4
APG22-08-※-01R-VSU2	54	115.5	113.5	220.5								
APG22-10-※-01R-VSU2	56	119.5	115.5	224.5	117.5	228.5						
APG22-13-※-01R-VSU2	59.25	126	118.75	231	120.75	235	124	241.5				
APG22-16-※-01R-VSU2	62	131.5	121.5	236.5	123.5	240.5	126.75	247	129.5	252.5		
APG22-20-※-01R-VSU2	66	139.5	125.5	244.5	127.5	248.5	130.75	255	133.5	260.5	137.5	268.5

APG32-※-※-01R-※PU2



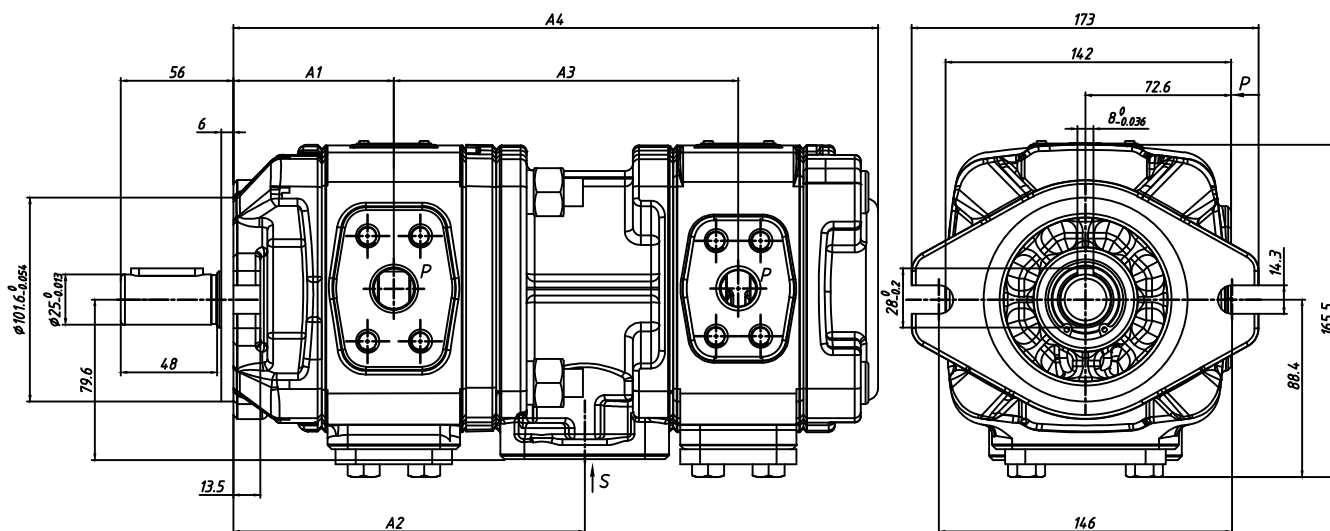
泵型号	A1	A2	后泵规格									
			08		10		13		16		20	
			A3	A4	A3	A4	A3	A4	A3	A4	A3	A4
APG10-25-※-01R-VPU2	73	153.5	138.5	264.5	140.5	268.5	143.75	275	146.5	280.5	150.5	288.5
APG10-32-※-01R-VPU2	76.5	160.5	142	271.5	144	275.5	147.25	282	150	287.5	154	295.5
APG10-40-※-01R-VPU2	80	167.5	145.5	278.5	147.5	282.5	150.75	289	153.5	294.5	157.5	302.5
APG10-50-※-01R-VPU2	85	177.5	150.5	288.5	152.5	292.5	155.75	299	158.5	304.5	162.5	312.5
APG10-63-※-01R-VPU2	92	191.5	157.5	302.5	159.5	306.5	162.75	313	165.5	318.5	169.5	326.5

APG32-※-※-01R-※SU2



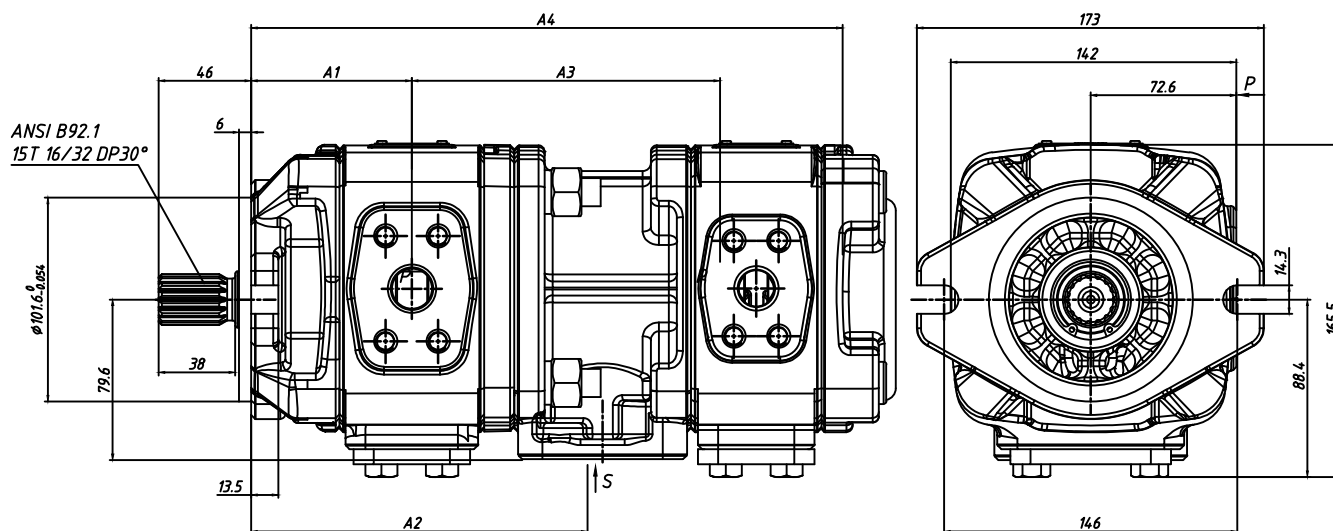
泵型号	A1	A2	后泵规格									
			08		10		13		16		20	
			A3	A4	A3	A4	A3	A4	A3	A4	A3	A4
APG10-25-※-01R-VSU2	73	153.5	138.5	264.5	140.5	268.5	143.75	275	146.5	280.5	150.5	288.5
APG10-32-※-01R-VSU2	76.5	160.5	142	271.5	144	275.5	147.25	282	150	287.5	154	295.5
APG10-40-※-01R-VSU2	80	167.5	145.5	278.5	147.5	282.5	150.75	289	153.5	294.5	157.5	302.5
APG10-50-※-01R-VSU2	85	177.5	150.5	288.5	152.5	292.5	155.75	299	158.5	304.5	162.5	312.5
APG10-63-※-01R-VSU2	92	191.5	157.5	302.5	159.5	306.5	162.75	313	165.5	318.5	169.5	326.5

APG33-※-※-01R-※PU2



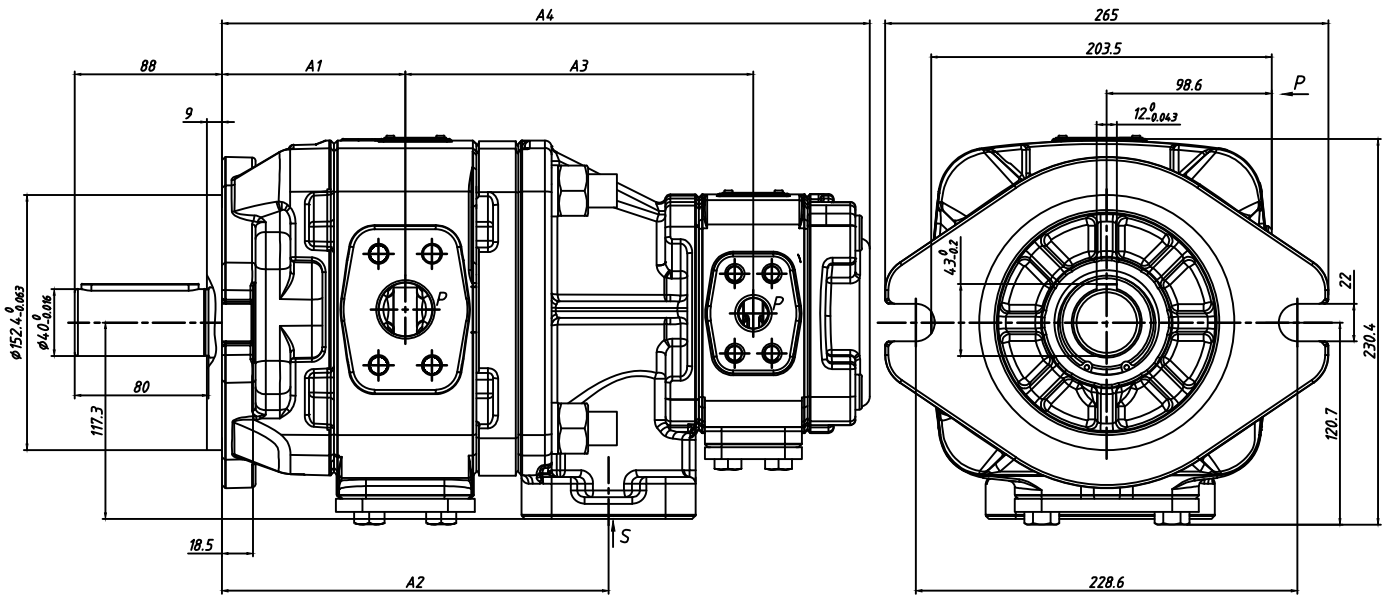
泵型号	A1	A2	后泵规格									
			25		32		40		50		63	
			A3	A4	A3	A4	A3	A4	A3	A4	A3	A4
APG11-25-※-01R-VPU2	73	161	161	300								
APG11-32-※-01R-VPU2	76.5	168	164.5	307	168	314						
APG11-40-※-01R-VPU2	80	175	168	314	171.5	321	175	328				
APG11-50-※-01R-VPU2	85	185	173	324	176.5	331	180	338	185	348		
APG11-63-※-01R-VPU2	92	199	180	338	183.5	345	187	352	192	362	199	376

APG33-※-※-01R-※SU2



泵型号	A1	A2	后泵规格									
			25		32		40		50		63	
			A3	A4	A3	A4	A3	A4	A3	A4	A3	A4
APG11-25-※-01R-VSU2	73	161	161	300								
APG11-32-※-01R-VSU2	76.5	168	164.5	307	168	314						
APG11-40-※-01R-VSU2	80	175	168	314	171.5	321	175	328				
APG11-50-※-01R-VSU2	85	185	173	324	176.5	331	180	338	185	348		
APG11-63-※-01R-VSU2	92	199	180	338	183.5	345	187	352	192	362	199	376

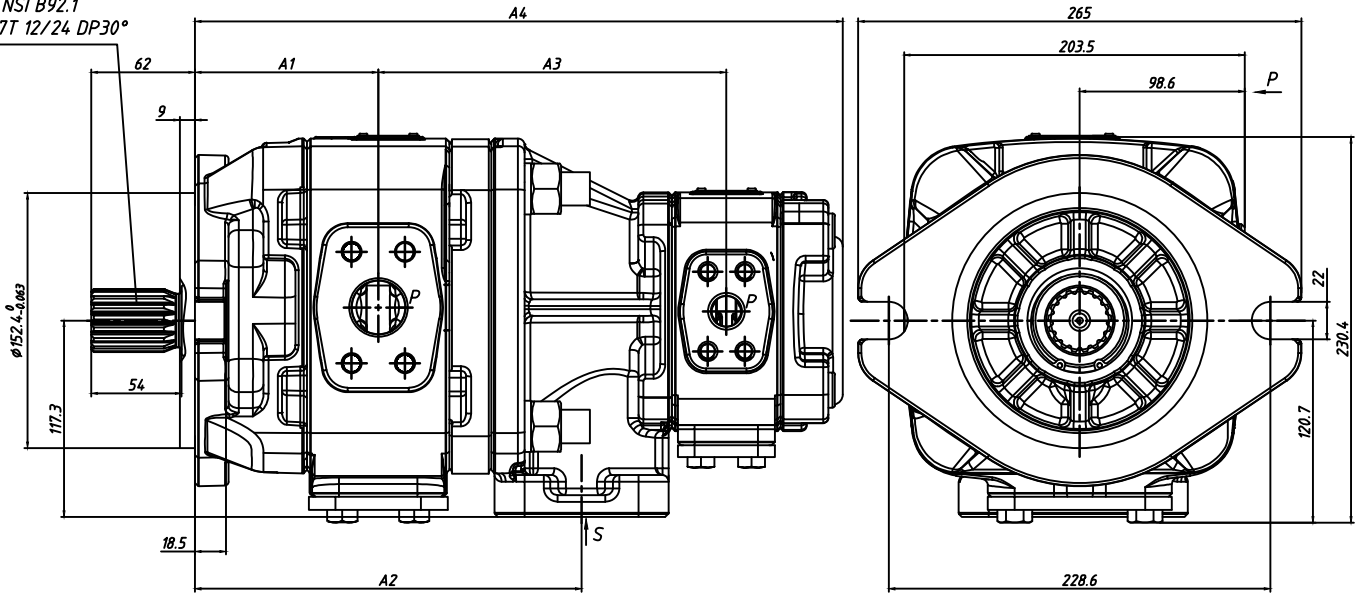
APG43-※-※-01R-※PU2



泵型号	A1	A2	后泵规格									
			25		32		40		50		63	
			A3	A4	A3	A4	A3	A4	A3	A4	A3	A4
APG21-80-※-01R-VPU2	109.5	231	204.5	380	208	387	211.5	394	216.5	404	223.5	418
APG21-100-※-01R-VPU2	114	240	209	389	212.5	396	216	403	221	413	228	427
APG21-125-※-01R-VPU2	120	252	215	401	218.5	408	222	415	227	425	234	439
APG21-145-※-01R-VPU2	124.75	261.5	219.75	410.5	223.25	417.5	226.75	424.5	231.75	434.5	238.75	448.5
APG21-160-※-01R-VPU2	129	270	224	419	227.5	426	231	433	236	443	243	457

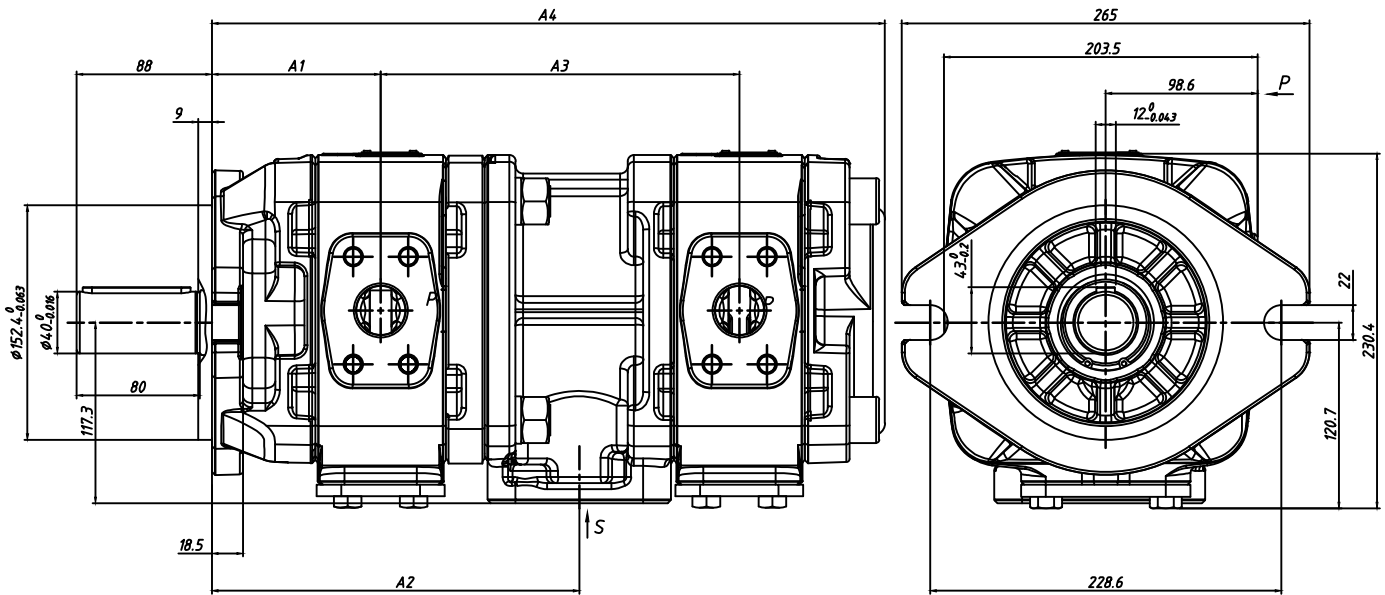
APG43-※-※-01R-※SU2

ANSI B92.1
17T 12/24 DP30°



泵型号	A1	A2	后泵规格									
			25		32		40		50		63	
			A3	A4	A3	A4	A3	A4	A3	A4	A3	A4
APG21-80-※-01R-VSU2	109.5	231	204.5	380	208	387	211.5	394	216.5	404	223.5	418
APG21-100-※-01R-VSU2	114	240	209	389	212.5	396	216	403	221	413	228	427
APG21-125-※-01R-VSU2	120	252	215	401	218.5	408	222	415	227	425	234	439
APG21-145-※-01R-VSU2	124.75	261.5	219.75	410.5	223.25	417.5	226.75	424.5	231.75	434.5	238.75	448.5
APG21-160-※-01R-VSU2	129	270	224	419	227.5	426	231	433	236	443	243	457

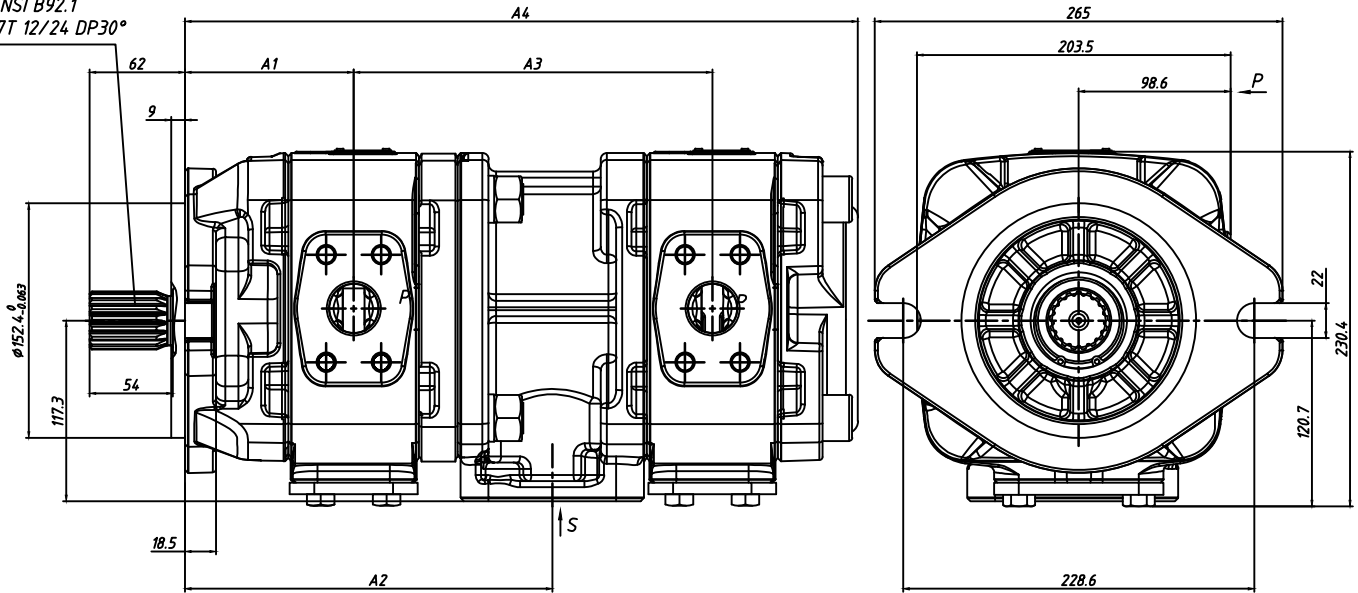
APG44-※-※-01R-※PU2



泵型号	A1	A2	后泵规格									
			80		100		125		145		160	
			A3	A4	A3	A4	A3	A4	A3	A4	A3	A4
APG22-80-※-01R-VPU2	109.5	238.5	233	437								
APG22-100-※-01R-VPU2	114	247.5	237.5	446	242	455						
APG22-125-※-01R-VPU2	120	259.5	243.5	458	248	467	254	479				
APG22-145-※-01R-VPU2	124.75	269	248.25	467.5	252.75	476.5	258.75	488.5	263.5	498		
APG22-160-※-01R-VPU2	129	277.5	251.5	476	257	485	263	497	268.25	506.5	272	515

APG44-※-※-01R-※SU2

ANSI B92.1
17T 12/24 DP30°



泵型号	A1	A2	后泵规格									
			80		100		125		145		160	
			A3	A4	A3	A4	A3	A4	A3	A4	A3	A4
APG22-80-※-01R-VSU2	109.5	238.5	233	437								
APG22-100-※-01R-VSU2	114	247.5	237.5	446	242	455						
APG22-125-※-01R-VSU2	120	259.5	243.5	458	248	467	254	479				
APG22-145-※-01R-VSU2	124.75	269	248.25	467.5	252.75	476.5	258.75	488.5	263.5	498		
APG22-160-※-01R-VSU2	129	277.5	251.5	476	257	485	263	497	268.25	506.5	272	515